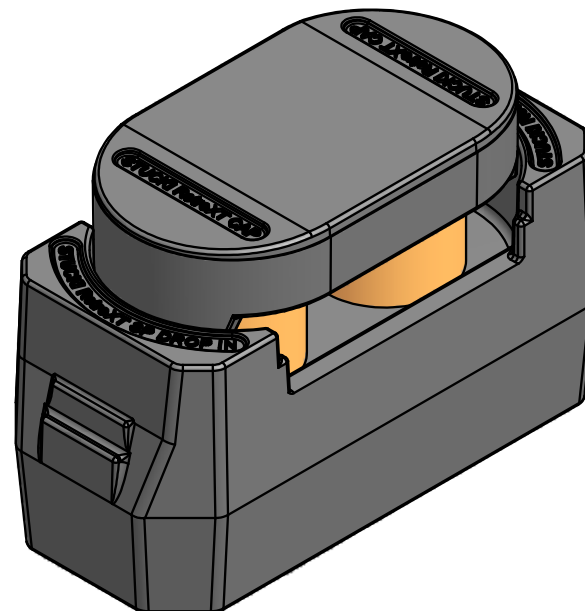
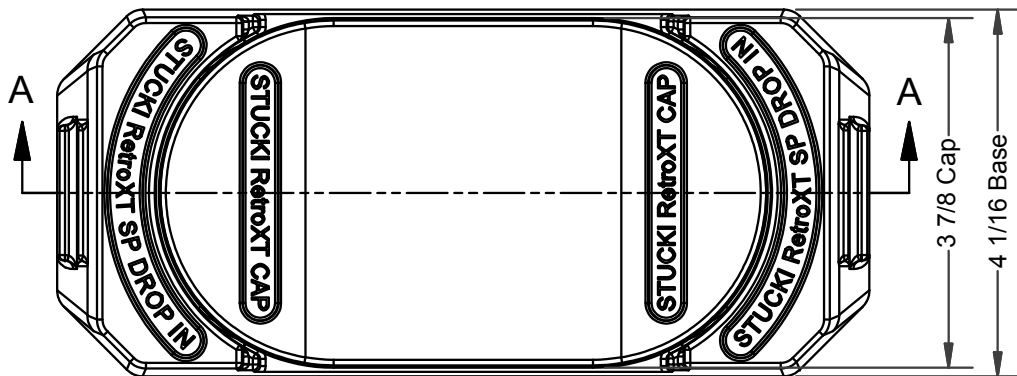


2

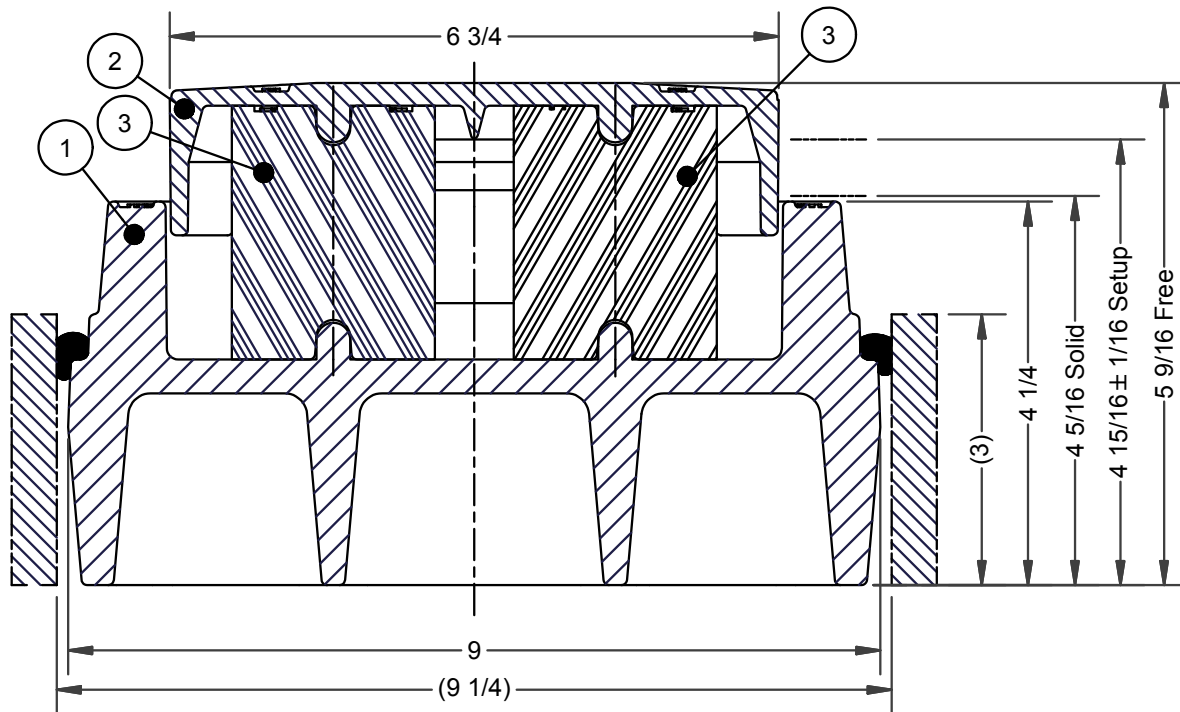


1



B

B



SECTION A-A

Notes:

1. Force at 4 15/16" = 4500 Lb per side bearing (at 75° F after initial relaxation).
2. Meets requirements of M-948-77 when installed on cars with a minimum car body weight of 21,176 lb.
3. Must be installed in accordance with *Installation Instructions for Stucki RetroXT SP Drop In Side Bearings.*

A

Parts List

| Item | Qty Needed | Description | Order Part No | Eng Dwg No |
|------|------------|-------------------------|-------------------------|------------|
| 1 | 1 | RetroXT SP Drop In Base | RETROXT-SP-DROP-IN-BASE | 07450 |
| 2 | 1 | RetroXT Cap | RETROXT-CAP | 07566 |
| 3 | 2 | RB-57 Column | RB57 | 07567 |

2



1

A. Stucki Company

Division of Hansen Inc.

2600 Neville Road
Pittsburgh, PA 15225

412-771-7300
www.stucki.com

TITLE
RetroXT SP Drop In Side Bearing

| | | | | |
|--------------|--------------------|--------------|-------------------------|------------|
| DRAWN JJD | DATE 07/20/04 | CONTROL S | DRAWING NUMBER 07592 | REV 005 |
| | REVISED 9/11/09 | | | |